
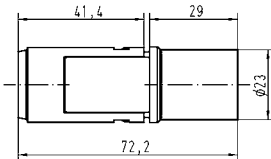
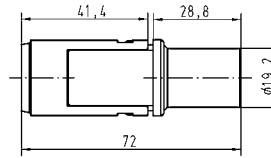

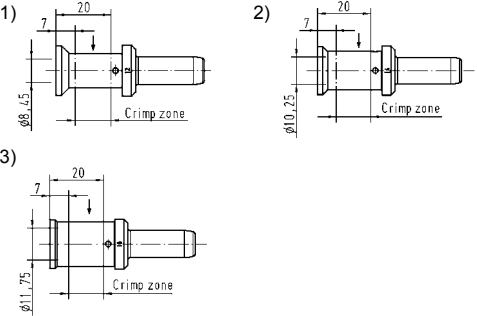






Identification	Part-Number		Drawings	Dimensions in mm
	Male insert (M)	Female insert (F)		
Han® HC Modular 250 Crimp terminal 	09 11 001 3021	09 11 001 3121	M  F 	

Identification	Wire gauge mm ²	Part-Number		Drawings	Dimensions in mm												
		Male contacts (M)	Female contacts (F)														
Crimp contacts* Silver plated 	35 ¹⁾ 50 ²⁾ 70 ³⁾	09 11 000 6127 09 11 000 6128 09 11 000 6129	09 11 000 6227 09 11 000 6228 09 11 000 6229														
Frames, 4 pins for 24 HPR hoods/housings 		09 11 000 9925	09 11 000 9926	<table border="1"> <thead> <tr> <th>Wire gauge</th> <th>Tool identification</th> <th>Stripping length</th> </tr> </thead> <tbody> <tr> <td>35 mm²</td> <td>12</td> <td>22 mm</td> </tr> <tr> <td>50 mm²</td> <td>14</td> <td>22 mm</td> </tr> <tr> <td>70 mm²</td> <td>16</td> <td>22 mm</td> </tr> </tbody> </table> <p>* for stranded wire acc. to IEC 60 228 class 5</p>	Wire gauge	Tool identification	Stripping length	35 mm ²	12	22 mm	50 mm ²	14	22 mm	70 mm ²	16	22 mm	
Wire gauge	Tool identification	Stripping length															
35 mm ²	12	22 mm															
50 mm ²	14	22 mm															
70 mm ²	16	22 mm															

Tools removal from the mating side		09 11 000 9932		
---------------------------------------	--	----------------	--	---

* Crimp zone acc. to DIN EN 46 235

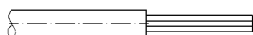
Features

- Crimp termination
- Designed for thick cable insulations
- For crimp dies acc. to DIN 46 235
- For crimping tools with 13 t pressing force

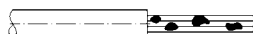
Technical characteristics

Specifications	DIN EN 60 664-1 DIN EN 61 984 EN 50 124-1
Inserts	
Electrical data acc. to DIN EN 61 984	
Rated current	250 A
Rated voltage	2000 V
Rated impulse voltage	12 kV
Pollution degree	3
Insulation resistance	≥ 10 ¹⁰ Ω
Material	PC
Limiting temperatures	-40 °C ... +125 °C
Flammability acc. to UL 94	V 0
Mechanical working life	≥ 500 mating cycles

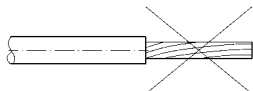
Assembly Details



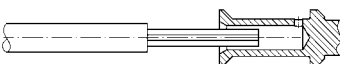
Cut the cable square and strip the insulation



The copper strands must be cleaned from dirt and oxide film



Copper strands must not be twisted



Insert the cable strand completely into the crimp ferrule.
Check insertion via inspection hole

Contacts

Power contacts	
Material	Copper alloy
Surface	
- hard-silver plated	3 µm Ag
Contact resistance	≤ 0.3 mΩ
Crimp terminal	
- mm ²	35 - 70 mm ²
Max. insulation diameter	18 mm
Crimp dies	acc. to DIN 46 325
Pressing force requirement	130 kN

For more information to create different contact arrangements please refer to main catalogue HARTING Industrial Connectors Han® chapter 14, from page 06 on.