

General description

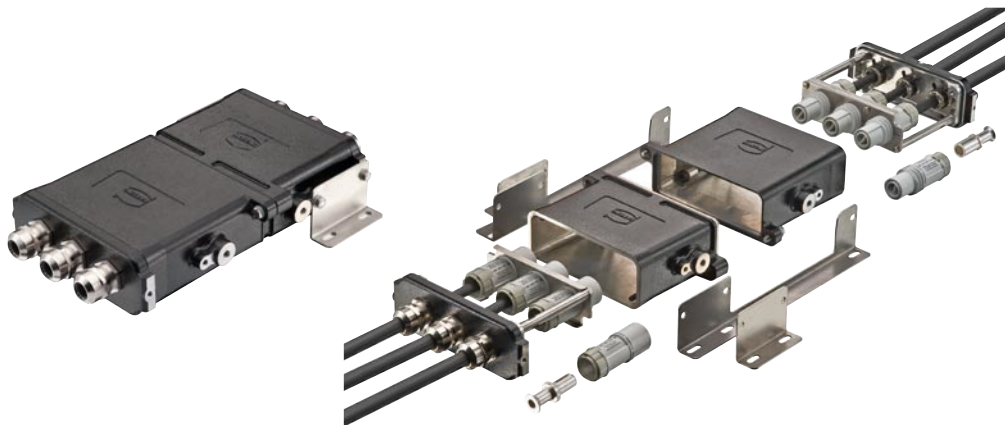
- High current connector for motor applications in the field of Railway rolling stock
- Robust and compact design
- Easy assembly due to split hood and surface mounted housing
- High EMC resistance
- Large space for cables

Technical characteristics

Material	Aluminium die-cast
Surface	Powder-coated, RAL 9005 (black)
Limiting temperatures	-40 °C ... 125 °C
Locking	Screw locking, M6 stainless steel
Frame	3 and 4 contacts for Han® HC Modular 350 stainless steel
Frames	Short and long version stainless steel
Cable gland	Special cable gland with self tightening clamp for shielded cables
Degree of protection acc. to EN 60 529 in locked position	IP 68

Features

- Suitable for extreme environmental conditions
- Many assembly possibilities due to separate assembly panels
- External termination of PE termination on hood and surface mounted housing
- New cable gland for secure and a visible connection of screening braid of shielded cables.



Identification

Part-Number

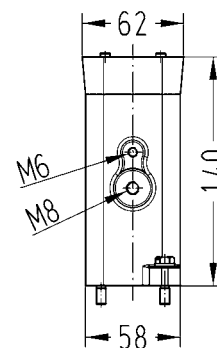
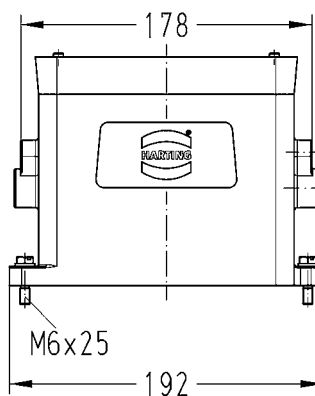
Drawing

Dimensions in mm

Hood



09 40 024 0451



Housing, surface mounting



09 40 024 0951

