



Ethernet Switch Ha-VIS FTS 3082-ASFP

10-port Ethernet Switch with Fast Track Switching Technology,
with 2 slots for SFP modules, managed

Advantages

- Identification, acceleration and preference for automation frames
- Deterministic data transfer for selected profiles
- Managed Ethernet Switch acc. to IEEE 802.3
- Fast Track Switching Mode, Store and Forward Switching mode
- Robust metal housing, RoHS compliant

General Description

The Fast Ethernet Switches of the product family Ha-VIS FTS 3000 can identify automation profiles (e.g. PROFINET, EtherNet/IP, Modbus TCP and customized profiles), accelerate their data transmission and prefer them. They are suitable for industrial applications.

The Ha-VIS FTS 3082-ASFP enables the connection of up to 8 network devices over shielded Twisted Pair and further 2 devices via F.O. ports (depending on chosen SFP modules). It supports Ethernet (10 Mbit/s) and Fast Ethernet (100 Mbit/s). The Ethernet Switch works as a managed switch and can work in Fast Track Switching Mode and in Store and Forward mode. It supports Auto-crossing, Auto-negotiation and Auto-polarity.

Identification

Part number

Drawing

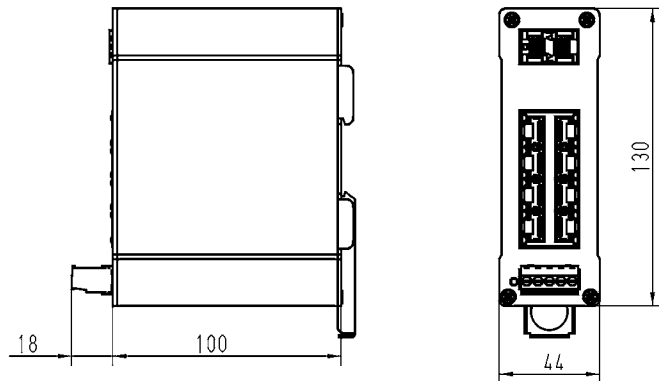
Dimensions in mm

Ha-VIS FTS 3082-ASFP

Ethernet Switch with
8 ports RJ45
2 slots for SFP modules
(100 Mbit/s)

for top-hat mounting rail

20 78 110 4300



All data represent the current state of development at the time of print and are therefore non-binding.

HARTING reserves the right to modify designs without prior notice.

Technical characteristics

Features

- Auto-crossing
- Auto-negotiation
- Auto-polarity
- Store and Forward Switching mode
- Fast Track Switching mode

Ethernet Interface

Number of ports

- 8x 10/100Base-TX, managed
- 2x slots for SFP modules 100Base-FX, managed

Cable types acc. to IEEE 802.3

- Shielded Twisted Pair (STP) or Unshielded Twisted Pair (UTP), Category 5

Data rate

- 10/100 Mbit/s (RJ45) / 100 Mbit/s (F.O.)

Maximum cable length

- 100 m (Twisted Pair; with cable Category 5 acc. to EN 50 173-1)

Terminating method

- RJ45 (Twisted Pair) / SFP modules

Diagnostics (via LED)

- Status Link: Green
 - Status Data transfer (Act): Green flashing
 - Data transfer rate (Speed): 100 Mbit/s: Yellow / 10 Mbit/s: OFF
- Line, Ring, Star or mixed

Topology

Basic functions

Port settings

- 10/100 Mbit/s
- Full/Half Duplex
- Port enable/disable
- Port mirroring
- Flow Control
- Industrial Profile (PROFINET, EtherNet/IP, Modbus TCP, customized)
- NRT Bandwidth Control

Management functions

- STP, RSTP
- IGMP Snooping with support for querier
- Port Based VLANs
- Alarm via email, SNMP traps
- PROFINET diagnosis
- DHCP Option 82
- Pluggable Memory Card

Power Supply

Nominal input voltage range

12 V ... 48 V DC

Permissible range

9.6 V ... 60 V

Current consumption

270 mA (at 24 V DC)

Diagnostics (via LED)

- Power supply in permissible range: Green
- Undervoltage: Red

Terminating Power supply

5-pole pluggable screw contact, for redundant power supply

Design features

Material of housing

Aluminium, anodized

Dimensions (W x H x D)

44 x 130 x 100 mm (without connectors)

Degree of protection

IP 30

acc. to DIN 60 529

Mounting

- 35 mm top-hat rail acc. to EN 60 715
- Panel mounting, vertical assembly

Weight

approx. 0.5 kg

Environmental conditions

Operating temperature

0 °C ... +55 °C

Storage temperature

-40 °C ... +85 °C

Relative humidity

30 % ... 95 % (non-condensing)