

Shell housing 2C for type 2C



Identification

Part No.

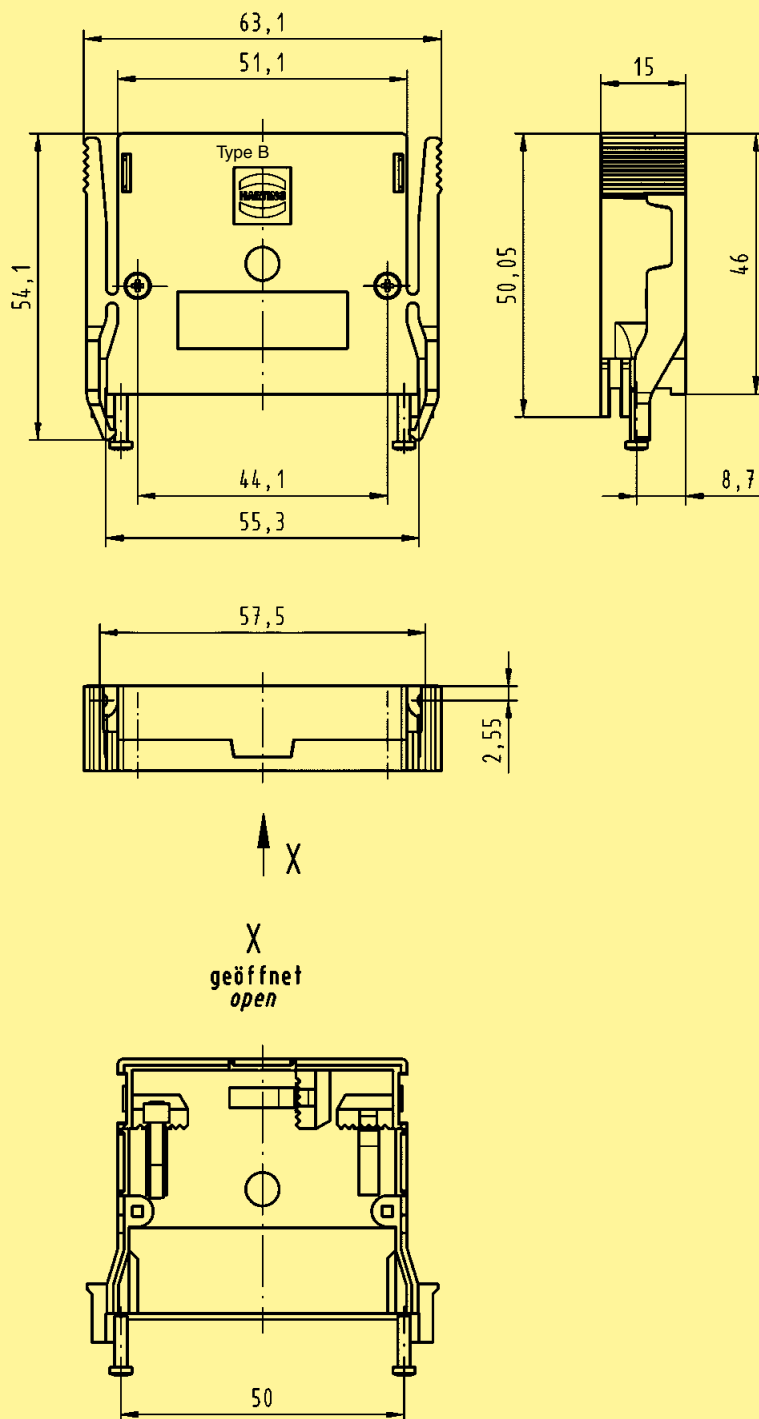
Drawing

Dimensions in mm

Shell housing 2C
for female connectors
type 2C

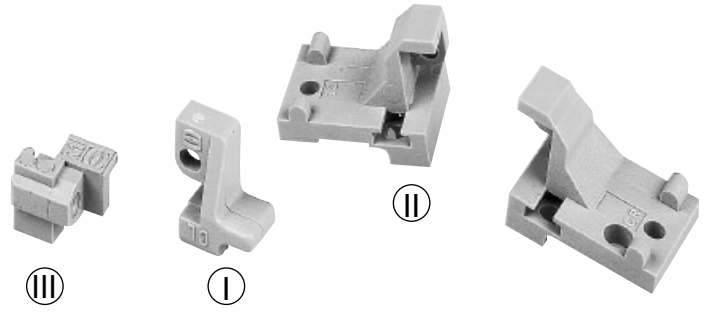
09 23 048 0501

Supplied with:
Shell 1x
Blinding plate 1x
Cable tie 1x
Screw 2.2 x 9.5
4x (09 06 001 9974)



Shell
housings

20
08



Accessories

Identification	Part No.	Drawing	Dimensions in mm
Fixing brackets C for angled male connectors on pcb without fixing possibility in 19" racks	left 09 02 000 9926 right 09 02 000 9927		
Fixing brackets C for male connectors for 19" racks according to DIN EN 60297, part 3-101 Multiple fixing (I)	left 09 02 000 9919 right 09 02 000 9920		
Single fixing (II)	left 09 02 000 9921 right 09 02 000 9922		
Fixing brackets R for inverse male connectors on pcb's (III)	R 1 09 02 000 9953 R 32 09 02 000 9954		

Shell housings